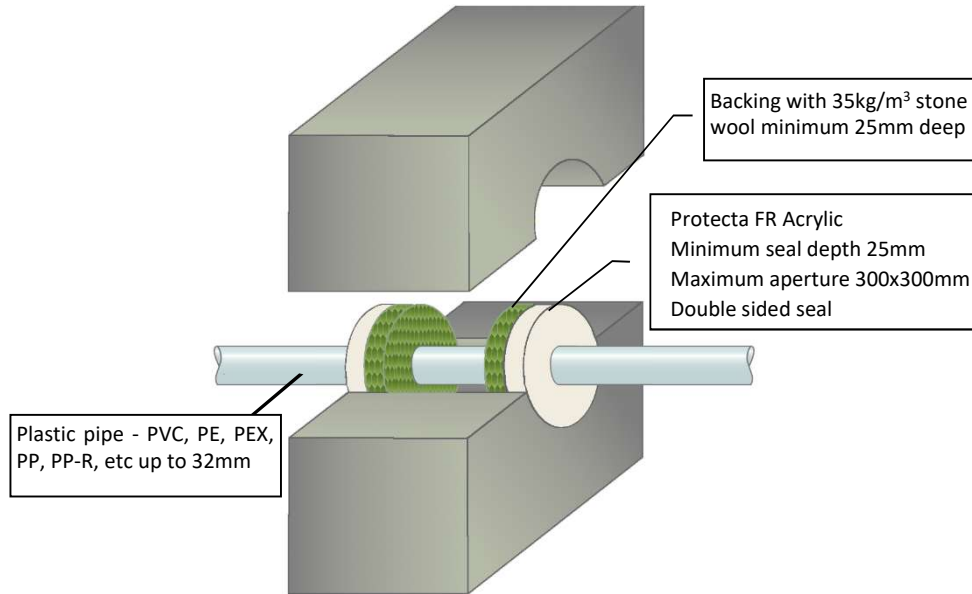


Protecta FR Acrylic - Concrete Wall 100mm Plastic Pipe PVC, PE, PE-HD, PEX, PP, PP-R, etc

Installation Instructions

1. Before installing Protecta® FR Acrylic ensure that the surface of all service penetrations and surrounding construction is free from all loose contaminants, dust and grease.
2. Where Protecta® FR Acrylic is to be installed against surfaces that cannot tolerate direct contact; appropriate surface preparation should be made (contact Polyseam for guidance in these cases). For paints sensitive to sealing compounds, priming with a PVA primer is recommended.
3. When installing any backing material, cut this slightly oversize and insert into the gap ensuring a tight friction fit. Ensure correct depth is achieved.
4. Fill the gap or joint with Protecta® FR Acrylic to the required depth.
5. Apply the sealant generously to prevent air bubbles. Finish the bead with a moist spatula, pallet knife or brush.
6. Protecta® FR Acrylic can be over-painted with most emulsion or alkyd (gloss) paints.



System/FPA Register ID# FC325

Products	Protecta FR Acrylic Stonewool
Application	Fire stopping of plastic pipes in rigid walls
Construction	Minimum wall thickness of 100mm and comprise concrete, aerated concrete or masonry, with a density of $\geq 650 \text{ kg/m}^3$

Fire & Sound Classification

In 150mm wall:

PVC, PVC-U, PVC-C pipes up to 32mm with wall thickness up to 2.4mm	FRR -240/240
PE, PE-HD, PEX, ABS & SAN+PVC pipes up to 32mm with wall thickness up to 4.4mm	FRR -/120/120

PP, PP-R, PP-MV, PP-H pipes up to 32mm with wall thickness up to 4.4mm	FRR -/240/240
--	---------------

In 100mm walls - NOTE no backing required:

PVC, PVC-U, PVC-C pipe up to 32mm with wall thickness up to 2.4mm	FRR -/120/120
---	---------------

PE, PE-HD, PEX, ABS & SAN+PVC pipe up to 32mm with wall thickness up to 3.0mm	FRR -/90/90
---	-------------

PP, PP-R, PP-H pipe up to 32mm with wall thickness up to 4.4mm	FRR -/60/60
--	-------------

Sealant 25mm only, no backing required

ZERO smoke leakage up to 200Pa

Sound reduction (seal only)	STC 62
-----------------------------	--------

Sheet size: A4	Drawn date & no: 24/5/21
--------------------------	-----------------------------

Scale: NTS	Drawn by: K.B
----------------------	------------------